

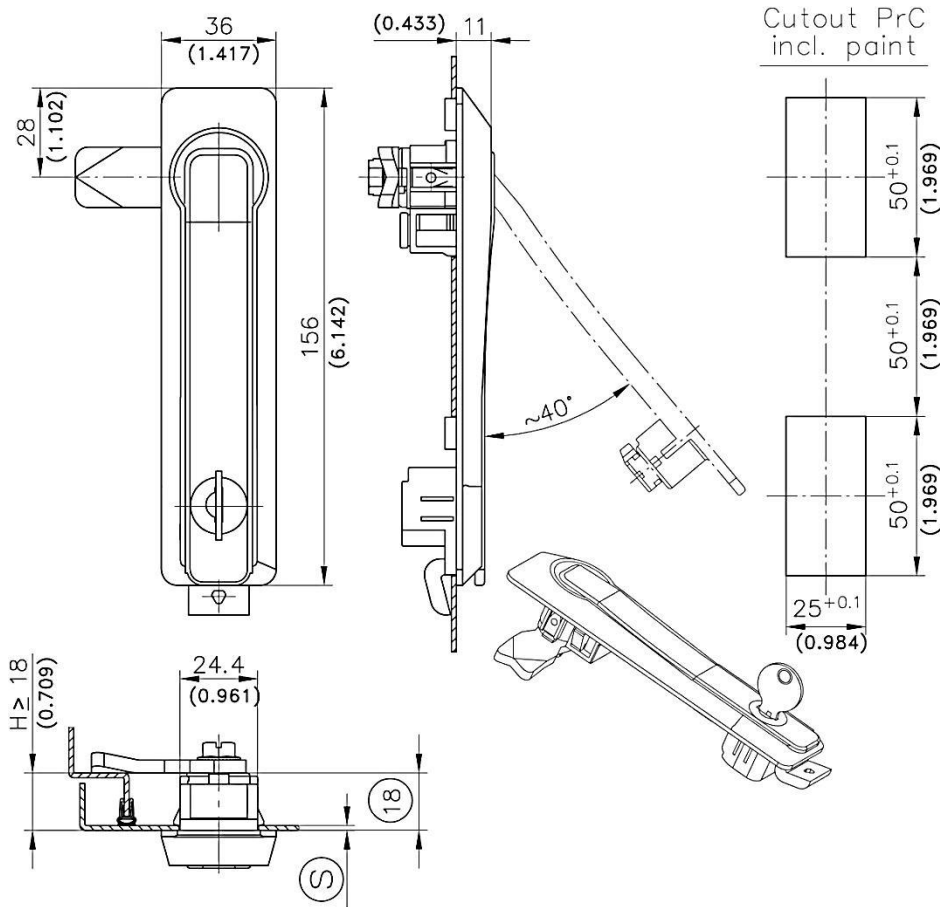
C075SL Swinghandle

Features

- Snap-in installation swinghandle
- Grounding by grounding clip
- A non-locked handle has a detent in the door-dish

Material

- Dish: PA, black
- Handle and turning-disk: zinc die, black
- Bottom (90° base) LH/RH: zinc die, zinc plated
- Grounding clip: stainless steel
- Locking cylinder: PA
- Snap wedges: PA



Part No.	Lock Type	Clamping Range (S)
C075SL-E07-9302-15	Keyed Alike	1.2 - 1.7
C075SL-E07-9302-20		1.7 - 2.2
C075SL-E07-9301-15	Keyed Differently	1.2 - 1.7
C075SL-E07-9301-20		1.7 - 2.2
C075SL-E07-9303-15	Without Key Lock, With Plug	1.2 - 1.7
C075SL-E07-9303-20		1.7 - 2.2

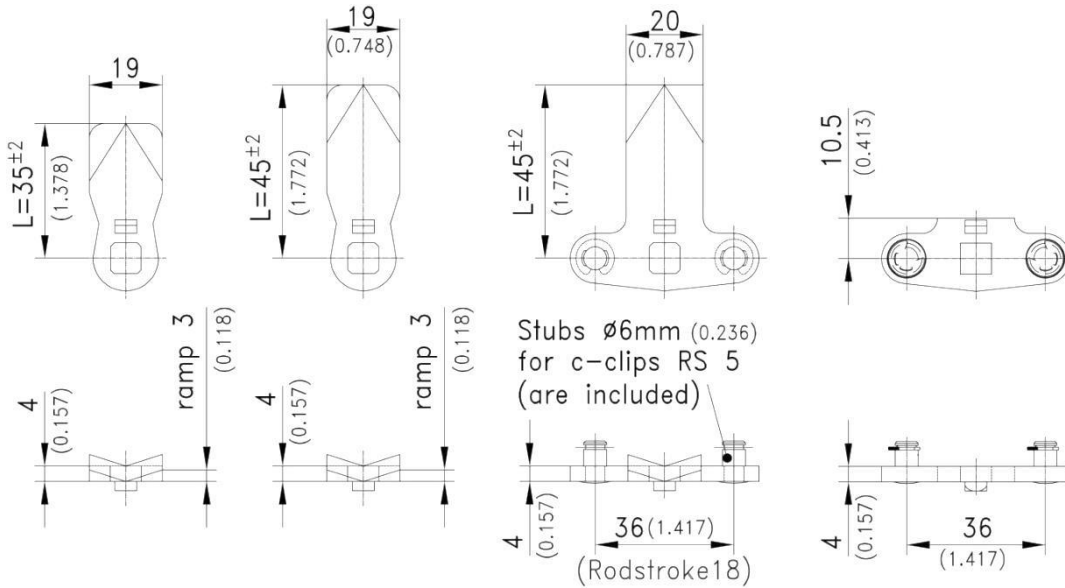
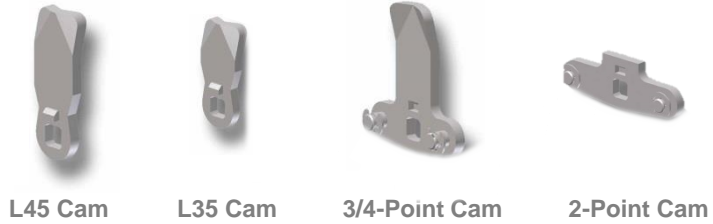
B102 Cams

Features

- Available in lengths of 3 5mm or 45 mm

Material

- Steel, zinc plated



L35 Cam

Part No.	H Dimension
C00-0606	6
C00-0608	8
C00-0610	10
C00-0613	13
C00-0614	14
C00-0616	16
C00-0618	18
C00-0620	20
C00-0622	22
C00-0624	24
C00-0625	25
C00-0626	26
C00-0628	28
C00-0630	30
C00-0635	35
C00-0638	38
C00-0640	40
C00-0642	42
C00-0644	44

L45 Cam

Part No.	H Dimension
C00-0402	2
C00-0404	4
C00-0406	6
C00-0408	8
C00-0410	10
C00-0413	13
C00-0414	14
C00-0416	16
C00-0418	18
C00-0420	20
C00-0422	22
C00-0424	24
C00-0425	25
C00-0426	26
C00-0428	28
C00-0430	30
C00-0432	32
C00-0434	34
C00-0435	35
C00-0436	36
C00-0438	38
C00-0440	40
C00-0442	42
C00-0444	44
C00-0445	45
C00-0447	47
C00-0450	50
C00-0453	53
C00-0455	55

3/4 Point Cam

Part No.	H Dimension
C00-9504	4
C00-9506	6
C00-9508	8
C00-9510	10
C00-9513	13
C00-9514	14
C00-9516	16
C00-9518	18
C00-9520	20
C00-9522	22
C00-9524	24
C00-9525	25
C00-9526	26
C00-9528	28
C00-9530	30
C00-9532	32
C00-9534	34
C00-9535	35
C00-9536	36
C00-9538	38
C00-9540	40
C00-9542	42
C00-9544	44
C00-9545	45
C00-9547	47
C00-9550	50

2 Point Cam

Part No.
C00-9599